



# GAS STATIONARY STEAM KETTLE



### SPECIFICATIONS:

Shall be a Southbend Model \_\_\_\_\_, gas fired, self-contained steam jacketed kettle, AGA and CGA design certified, NSF approved. The unit comes standard with electronic ignition and a hinged stainless steel cover. The 60 gallon kettle comes standard with a spring assisted cover. The kettle shall be constructed with an exterior of type 304 stainless steel, #4 sanitary finish and 6" (152mm) stainless steel adjustable legs. The interior kettle liner shall be a one piece welded construction made with type 316 stainless steel for 20 and 40 gallon kettles and type 304 stainless for 60 gallon kettles with #4 sanitary finish, 2/3 jacketed and shall be furnished with a 2" (50 mm) tangent draw off valve as standard. The recessed control panel shall be located on the front side of the unit in full view of the operator and easy to use. Standard controls include a direct immersion thermostat, water sight glass, cooking light, pressure gauge and low water indicator light. Safety features shall include a low water cut off, pressure relief valve, pressure switch and a 100% safety gas shutoff valve.

MODEL	CAPACITY	
KSLG-20	20 Gallon	76 Liter
KSLG-40	40 Gallon	152 Liter
KSLG-60	60 Gallon	227 Liter

### OPERATION SHALL BE BY:

- Natural Gas
- L.P. Gas

For operation on 115 VAC, 1 phase 50/60 Hz, A.S.M.E. code stamped for operation up to 50 psi (345kPa). The steam kettle temperature ranges shall be between 165°F to 275°F (74°C to 135°). Burners shall be serviceable, high efficiency stainless steel with no shutter adjustment.

### OPTIONAL ITEMS AT EXTRA COST:

- 220 VAC, 1 phase, 50/60 Hz.
- 316 stainless steel liner for interior (for KSLG-60)
- 3" (76 mm) draw-off valve (TVT-3)
- 2" (50 mm) dairy valve (DDO-2T)
- 3" (76 mm) dairy valve (DDO-3T)
- Etched gallon markings (GM-)
- Etched liter markings (LM-)
- Spring assist for 20 + 40 gallon (SA-)
- Casters
- Correctional Package

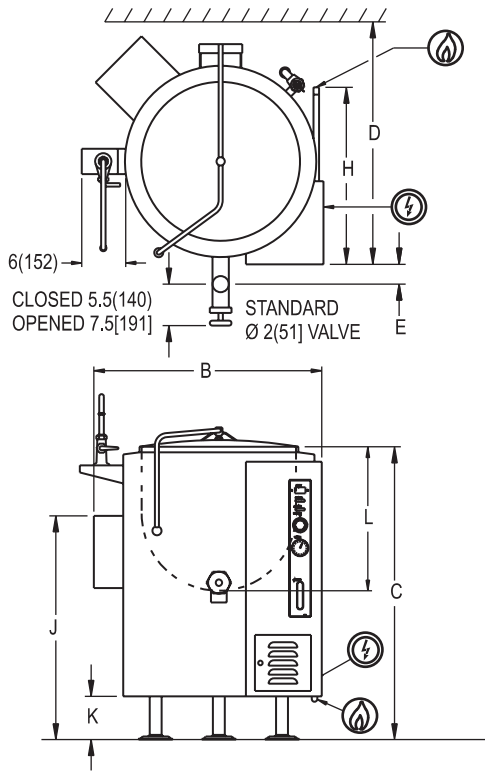
### ACCESSORIES:

- Stainless steel tri basket, (TBA-1)
- Graduated measuring strip (CMS-)
- Strainer hook (SH-)
- Perforated strainer for draw-off valve (TPS-)
- Solid disc for draw-off valve (TSS-)
- Single pantry faucet with swing spout, SF-12
- Double pantry faucet with swing spout, DF-12

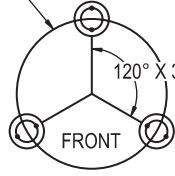
Job \_\_\_\_\_  
Item# \_\_\_\_\_



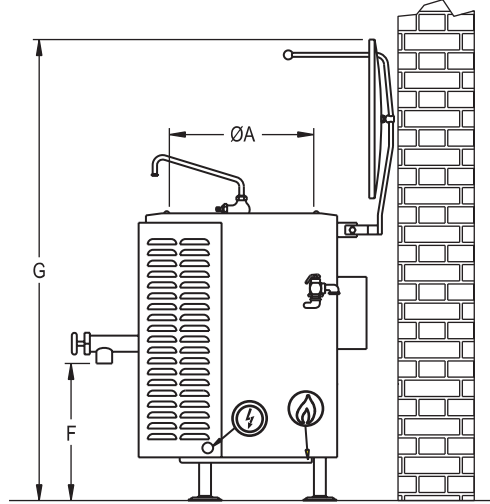
Models:  KSLG-20  KSLG-40  KSLG-60



KLS-20G = Ø 20.75"  
 KLS-40G = Ø 26.75"  
 KLS-60G = Ø 30.75"



MODEL	SHIPPING WEIGHT
KSLG-20	440 lbs. [200 kg]
KSLG-40	600 lbs. [272 kg]
KSLG-60	720 lbs. [327 kg]



DIMENSIONS ARE IN INCHES [MM]

**SERVICE CONNECTIONS**

- Supply gas through 3/4" pipe. A gas shut-off valve must be installed in supply piping convenient and adjacent to appliance
- Unless other wise specified, Field Wire Electrical Connection to be 120 Volts, 60 Hertz, single phase with grounding wire. Unit furnished with 6' cord and 3 prong plug. Total maximum amps 4.0.

**DIMENSIONS**

MODEL	CAPACITY	UNITS	A	B	C	D	E	F	G	H	J	K	L
KSLG-20	20 gallons (76 liters)	in (mm)	20" (508)	31.25" (794)	40" (1016)	32" (813)	3" (76)	19" (483)	64" (1626)	24" (610)	30.5" (775)	6" (152)	18.25" (464)
KSLG-40	40 gallons (152 liters)	in (mm)	26" (660)	35.5" (902)	44" (1118)	38.5" (978)	2" (51)	19" (483)	72" (1829)	29" (737)	35" (889)	6" (152)	22" (559)
KSLG-60	60 gallons (227 liters)	in (mm)	30" (762)	40" (1016)	49.5" (1257)	42" (1016)	2.5" (63)	21.5" (546)	85" (2159)	35" (889)	39" (991)	8" (203)	24.62" (625)

MODEL	GAS SUPPLY				MINIMUM CLEARANCE *	
	BTU/HR.	KW/HR.	SUPPLY PIPE PRESSURE (W.C.)			
KSLG-20/40	100,000	29.3	Natural 6"-14" (152-356 mm)	Propane 11"-14" (279-356 mm)	Sides	6" [152 mm]
KSLG-60	130,000	38.1			Back	2" [51 mm]

\* For use on non-combustible floors only.

**INTENDED FOR COMMERCIAL USE ONLY.  
 NOT FOR HOUSEHOLD USE.**



1100 Old Honeycutt Road, Fuquay-Varina, NC 27526  
 (919) 762-1000 www.southbendnc.com